

Cila

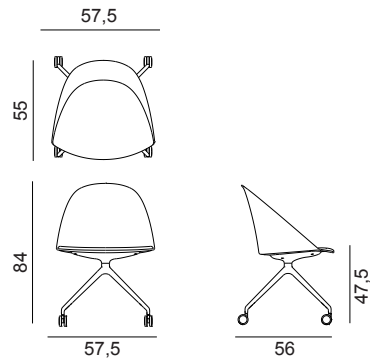
Design by Lievore Altherr, 2017

Art. 2219

Chair with polished or powder-coated aluminium fixed trestle base, mounted on selfbraking castors. Shell fully upholstered in leather, coated fabric, fabric or customer's own material.

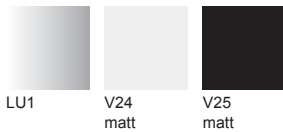


Dimensions *



* File CAD 2D - 3D available for download at www.arper.com

Frame Base



Shell

arper

www.arper.com


info@arper.com


Cila

Design by Lievore Altherr, 2017

SHIPMENT DETAILS

Art.2219

1 pz = 2  - kg 14,9/ m³ 0,333

4 pz = 2  - kg 45,63/ m³ 0,501

TECHNICAL SPECIFICATIONS

Art.2219

COL requirement m² 3

H 140 cm. COM Meterage m 1.31

*Classe 1, 2, 1IM: fire retardant version available with surcharge and eventual minimum batch

RESISTANCE TEST

- TUV GS (EN16139)

FIRE RETARDANT TEST

ENVIRONMENTAL CERTIFICATIONS



arper

www.arper.com
info@arper.com

www.arper.com